



Acme Sanitary Ware Co Ltd

Acme Building, 22-28 Nanking Street, Kowloon, Hong Kong
Tel: 2388 7171 Fax: 2710 8012
E-mail: acme@acmesanitary.com.hk
Website: www.acmesanitaryware.com.hk

PROJECT		REF		REV	ITEM CODE	
LOCATION		DATE			PAGE	

SANITARY WARE SPECIFICATION SHEET

Item Descriptions	Mediclinics (Spain) stainless steel AISI 304 wall-mounted push-button liquid soap dispenser in satin finish	Illustration/ Drawing
Dimensions	L208 x W130 x H121 mm	
Model	DJ0112CS	
Material/ Finish	Stainless Steel / Satin Finish	
Manufacturer	Mediclinics, S.A. (Spain)	
Supplier	Acme Sanitary Ware Co. Ltd Mr. Eric Wong/ Mr. Don Yuen	
Contact Tel/Fax	(852) 2388-7171 / (852) 2710-8012	
E-mail Website	acme@acmesanitary.com.hk www.acmesanitary.com.hk	

General description

- Liquid soap dispenser, wall mounted.
- Push-button operated.
- Robust and vandal-resistant.
- Suitable for high traffic facilities.
- Model suitable for public use.
- It normally goes along with a warm air hand dryer.

Components and Materials

- Stainless steel AISI 304 one-piece container, 1 mm thick, satin finish. It is mounted on the wall by concealed vandal-resistant wall plate with 3 sheet-metal screws and 5 mm wall plugs (screws and wall plugs are provided). To refill, hinged lid opens for top filling only with special key provided.
- Polyethylene inner tank.
- Chromed brass push-button.
- Chromed ABS push-in valve, with interior gaskets, to ensure tightness.
- ABS thermoplastic piston.
- Polycarbonate unbreakable refill-indicator window.
- Suitable soaps: Hand soaps, with neutral PH, not containing chlorine.

Operation

Press push-button manually to dispense a measured amount of liquid soap. Valve is operable with one hand, without tight grasping, pinching, or twisting of the wrist.

Certificates & Qualifications

ISO 9001:2008.

Specifications

Wall mounted soap dispenser, robust and vandal-resistant with a body, made of stainless steel AISI 304, 1 mm thick, satin finish. It should be mounted on the wall by concealed vandal-resistant wall plate with 3 sheet-metal screws and 5 mm wall plugs. The screws and wall plugs should be provided. To refill, hinged lid opens for top filling only with special key provided. The dispenser should include a chrome brass push-button, ABS thermoplastic piston and a chromed ABS push-in valve, with interior gaskets, to ensure tightness. The dispenser should be provided with a Polycarbonate unbreakable refill-indicator window. The soap dispenser should be suitable for commercially marketed all purpose liquid and lotion hand soaps and synthetic detergents except for surgical soaps.

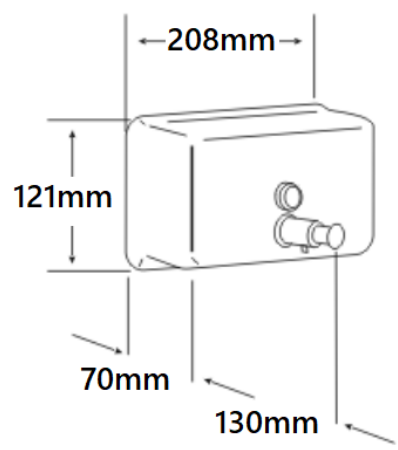
Overall dimensions shall be 208 x 121 x 130 mm. Liquid soap dispenser shall be model DJ0112C, stainless steel AISI 304 bright finish, of Mediclinics S.A., C/ Industria 54, E-08025 Barcelona, Spain.



DJ0112C
Bright finish



DJ0112CS
Satin finish



Technical Specifications
Dimensions - 121 x 208 x 70 mm
Capacity - 1,2 L
Quantity dispensed per pulsation - 1,1 ml
Operable force - 23,5 N
Maximum dimensions - 121x 208 x 130 mm
Weight (empty dispenser) - 0,7 Kg
Recommended installation height from the self - 15-20 cm

Note:

* All information of the above is for the reference only. No prior notice is made if any changes.



Source: Mediclinics.